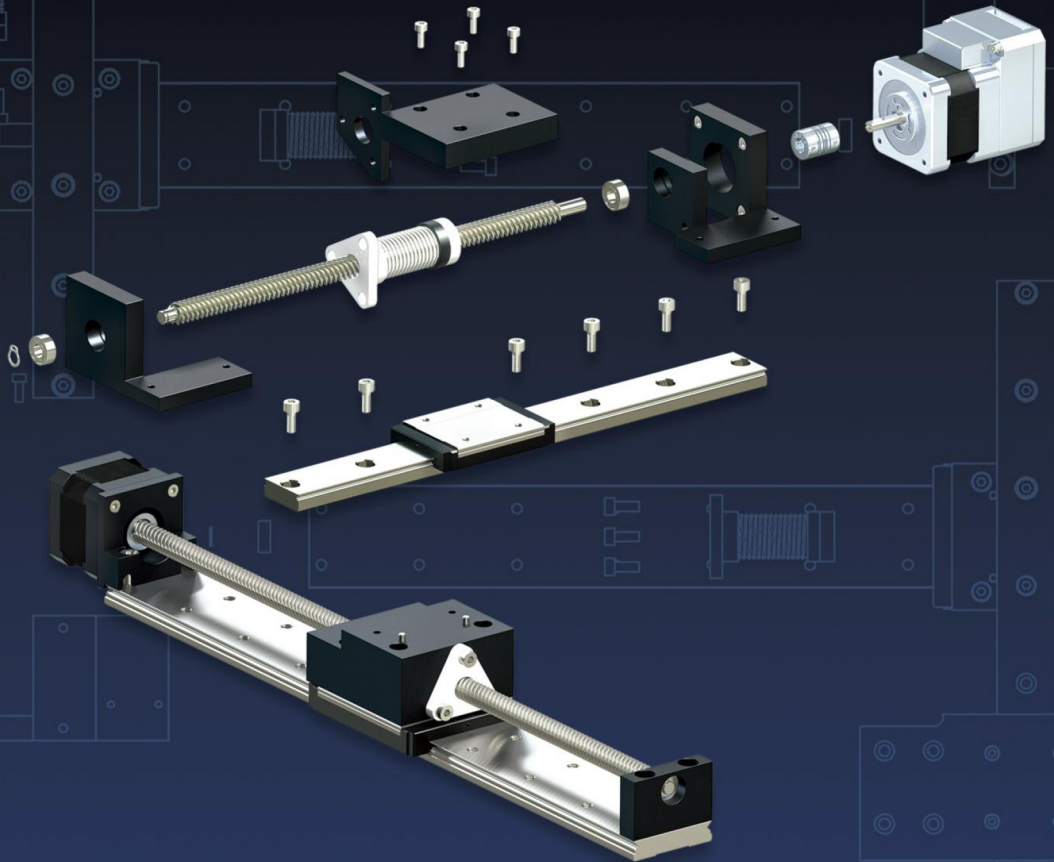


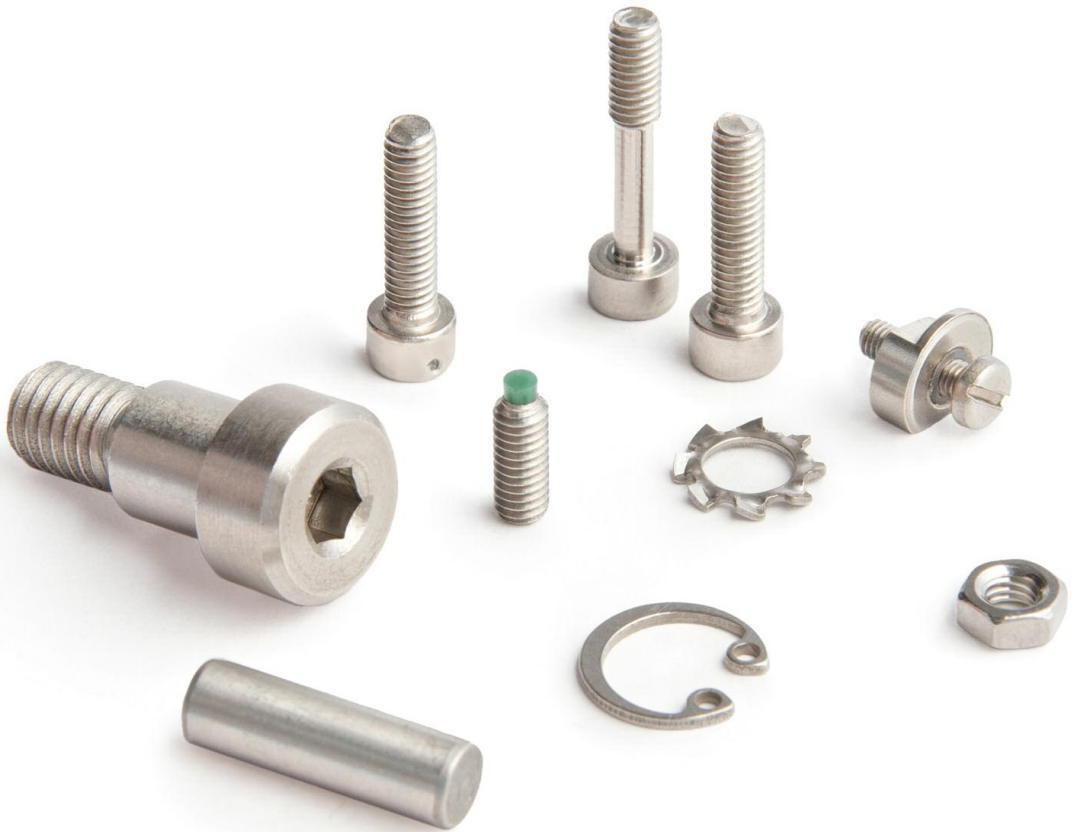


RELIANCE™

P R E C I S I O N



Precise Motion Control Solutions
Machine Screws, Dowel Pins and Hardware



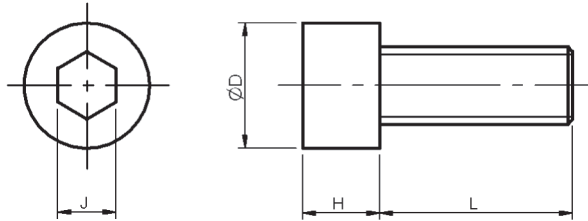
Section Contents

Plain Socket Head Screws	Page 13-2
Wire Locking Screws	Page 13-3
Captive Screws	Page 13-4
Ventilation Screws	Page 13-5
Shoulder Screws	Page 13-6
Machine Screws	
- Countersunk	Page 13-8
- Pan Head	Page 13-9
- Cheese Head	Page 13-10
Cup Point Set Screws	Page 13-11
Solder Tip Set Screws	Page 13-12
Nylon Tip Set Screws	Page 13-13
Clamp Cleats	Page 13-14
Disc Springs	Page 13-15
Nuts	Page 13-16
Washers	Page 13-17
Coiled Pins	Page 13-18
Dowel Pins.....	Page 13-19
External Circlips	Page 13-20
Internal Circlips.....	Page 13-21
Technical Information.....	Page T13-1



All dimensions in mm
 Thread specification: BS3643 Pt2
 Tolerance class: 6g
 Material: A2-70 Austenitic⁽¹⁾
 A4-70 Austenitic⁽²⁾
 Stainless steel to ISO 3506-1

Associated Products
 Disc springs: page 13-15
 Nuts: page 13-16
 Washers: page 13-17



Part number selection table

Example Part No:-							S - M3 - 12 - A47										
Basic Part No	Thread Size	ØD max	H max	J nom	Standard Length												Matl
					L												
S	M1.6	3.0	1.6	1.5	3	4	5	6	8								A27 ⁽¹⁾
	M2	3.8	2.0	1.5		4	5	6	8								
	M2.5	4.5	2.5	2.0			5	6	8	10							A47 ⁽²⁾
	M3	5.5	3.0	2.5				6	8	10	12	16	20				
	M4	7.0	4.0	3.0					8	10	12	16	20	25			
	M5	8.5	5.0	4.0						10	12	16	20	25	30		
M6	10.0	6.0	5.0							12	16	20	25	30	40		

i Features and options

- Plain socket head cap screw to ISO 4762
- 700 MPa minimum tensile strength
- Rolled thread for excellent surface finish, superior thread strength and increased hardness properties
- Slotted head available
- Imperial sizes available
- Alternative materials available

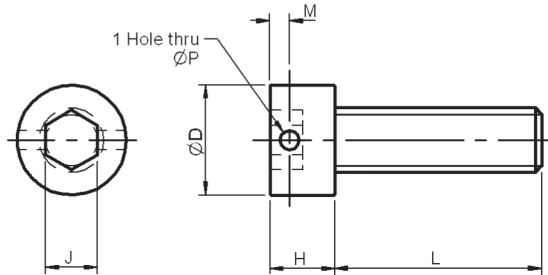
? Technical support

- ISO metric screw threads, limits and tolerances - see [page T13-1](#)
- Torque and tension guidelines - see [page T13-1](#)
- Material properties - see [page T13-2](#)



Associated Products
 Disc springs: page 13-15
 Nuts: page 13-16
 Washers: page 13-17

All dimensions in mm
 Thread specification: BS3643 Pt2
 Tolerance class: 6g
 Material: A2-70 Austenitic⁽¹⁾
 A4-70 Austenitic⁽²⁾
 Stainless steel to ISO 3506-1



Part number selection table

Example Part No:-								S - M3 - 12 - A47 - XD											
Basic Part No	Thread Size	ØD max	H max	J nom	M ±0.1	ØP ±0.1	Standard Length						Matl						
							L												
S	M1.6	3.0	1.6	1.5	0.5	0.4	3	4	5	6					A27⁽¹⁾				
	M2	3.8	2.0	1.5	0.7	0.6	4	5	6	8					A47⁽²⁾				
	M2.5	4.5	2.5	2.0	0.75	0.7					5	6	8	10					
	M3	5.5	3.0	2.5	0.9	0.8					6	8	10	12		16	20		
	M4	7.0	4.0	3.0	1.3	1.0					8	10	12	16		20	25		
	M5	8.5	5.0	4.0	1.5	1.5					10	12	16	20		25	30		
M6	10.0	6.0	5.0	1.8	1.5									12	16	20	25	30	40

i Features and options

- Plain socket head cap screw to ISO 4762 with cross-drilled head to allow fastener retention by wire locking
- 700 MPa minimum tensile strength
- Rolled thread for excellent surface finish, superior thread strength and increased hardness properties
- Imperial sizes available
- Alternative materials available

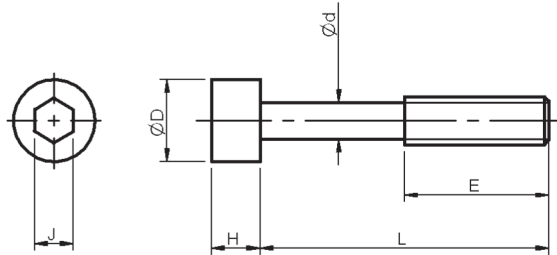
? Technical support

- ISO metric screw threads, limits and tolerances - see [page T13-1](#)
- Torque and tension guidelines - see [page T13-1](#)
- Material properties - see [page T13-2](#)



All dimensions in mm
 Thread specification: BS3643 Pt2
 Tolerance class: 6g
 Material: A2-70 Austenitic⁽¹⁾
 A4-70 Austenitic⁽²⁾
 Stainless steel to ISO 3506-1

Associated Products
 Disc springs: page 13-15
 Nuts: page 13-16
 Washers: page 13-17



Part number selection table

Example Part No:- S - M3 - 16 - A47 - CA								
Basic Part No	Thread Size	ØD max	H max	J nom	Ød ±0.1	E ±0.1	Standard Length L	Matl
S	M2	3.8	2.0	1.5	1.4	4.0	10	A27 ⁽¹⁾
	M2.5	4.5	2.5	2.0	1.8	5.0	12	A47 ⁽²⁾
	M3	5.5	3.0	2.5	2.2	6.0	16 20	
	M4	7.0	4.0	3.0	3.0	8.0	20 25	
	M5	8.5	5.0	4.0	3.8	10.0	25 30	
	M6	10.0	6.0	5.0	4.5	12.0	30 40	

i Features and options

- Socket head cap screw to ISO 4762 with plain shank length for captive assembly of the screw to prevent fastener loss
- Ideal for service covers
- Rolled thread for excellent surface finish, superior thread strength and increased hardness properties
- Slotted head available on sized M2 to M5
- Imperial sizes available
- Alternative materials available

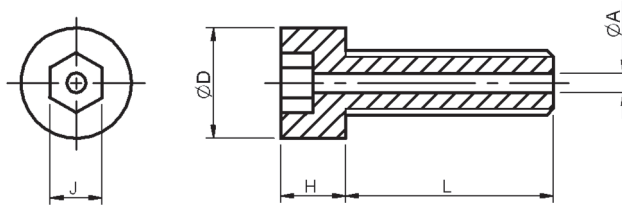
? Technical support

- ISO metric screw threads, limits and tolerances - see [page T13-1](#)
- Torque and tension guidelines - see [page T13-1](#)
- Material properties - see [page T13-2](#)



Associated Products
 Disc springs: page 13-15
 Nuts: page 13-16
 Washers: page 13-17

All dimensions in mm
 Thread specification: BS3643 Pt2
 Tolerance class: 6g
 Material: A2-70 Austenitic⁽¹⁾
 A4-70 Austenitic⁽²⁾
 Stainless steel to ISO 3506-1



Part number selection table

Example Part No:-												
S - M3 - 12 - A47 - AD												
Basic Part No	Thread Size	ØD max	H max	J nom	ØA ±0.05	Standard Length				Matl		
						L						
S	M1.6	3.0	1.6	1.5	0.6	3	4	5	6	A27 ⁽¹⁾		
	M2	3.8	2.0	1.5	0.7	4	5	6	8			
	M2.5	4.5	2.5	2.0	0.8	5	6	8	10	A47 ⁽²⁾		
	M3	5.5	3.0	2.5	1.0	6	8	10	12		16	20
	M4	7.0	4.0	3.0	1.0	8	10	12	16		20	25
	M5	8.5	5.0	4.0	1.5	10	12	16	20		25	30
M6	10.0	6.0	5.0	1.5	12	16	20	25	30	40		

i Features and options

- Socket head cap screw to ISO 4762 drilled through on axis to assist cavity ventilation in vacuum assemblies
- Rolled thread for excellent surface finish, superior thread strength and increased hardness properties
- Slotted head available
- Imperial sizes available
- Alternative materials available

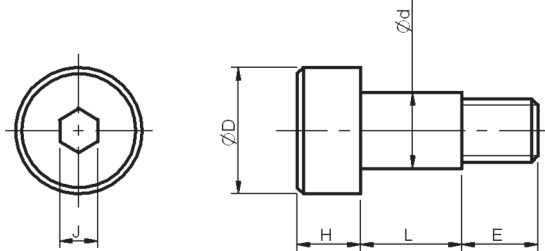
? Technical support

- ISO metric screw threads, limits and tolerances - see [page T13-1](#)
- Torque and tension guidelines - see [page T13-1](#)
- Material properties - see [page T13-2](#)



All dimensions in mm
 Material: 303 Stainless steel
 Tolerance class: 6g

Associated Products
 Disc springs: page 13-15
 Nuts: page 13-16
 Washers: page 13-17



Part number selection table

Example Part No:- MSS2 - M6 - 35								
Basic Part Number	Thread Size	Ød +0.000 -0.025	ØD	J nom	H	E ±0.1	Length L +0.05 -0.00	Length Code
MSS2	M3	3.987	6	2	3	4	4.013	1
							5.013	2
							6.013	3
							8.013	4
							10.013	5
	M4	4.987	8	2.5	4	5	4.013	6
							5.013	7
							6.013	8
							8.013	9
							10.013	10
							12.013	11
							14.013	12
							16.013	13
							20.013	14
							25.013	15
							30.013	16
	M5	5.987	10	3	5	6	4.013	17
							5.013	18
							6.013	19
							8.013	20
							10.013	21
							12.013	22
							14.013	23
							16.013	24
							20.013	25
							25.013	26
							30.013	27

Screws and Hardware



Basic Part Number	Thread Size	Ød +0.000 -0.025	ØD	J nom	H	E ±0.1	Length L +0.05 -0.00	Length Code
MSS2	M6	7.987	12	4	6	11	6.013	28
							8.013	29
							10.013	30
							12.013	31
							16.013	32
							20.013	33
	M8	9.987	14	5	7	12	8.013	34
							10.013	35
							12.013	36
	M10	11.987	20	6	8	16	12.013	37
							16.013	38
							20.013	39
							16.013	40
							12.013	41
							20.013	42
							25.013	43
								44
								45

i Features and options

- Socket head screw with accurate diameter shoulder for precision assemblies
- May be used to replace components such as shafts, pivots, pins and guides
- Used for linkages and stationary guides
- Slotted head and Phillips head available
- Imperial sizes available
- Alternative materials available (416)
add -4 to the end of the part number
- Alternative lengths available

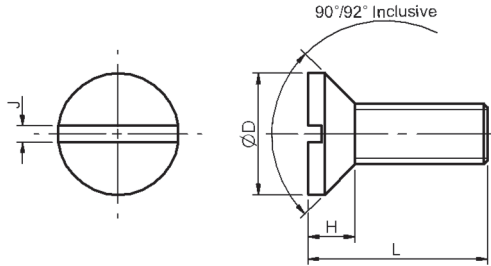
? Technical support

- ISO metric screw threads, limits and tolerances - see [page T13-1](#)
- Torque and tension guidelines - see [page T13-1](#)
- Material properties - see [page T13-2](#)



All dimensions in mm
 Thread specification: BS3643 Pt2
 Head specification: BS4183
 Tolerance class: 6g
 Material: Stainless steel 300 series

Associated Products
 Disc springs: page 13-15
 Nuts: page 13-16
 Washers: page 13-17



Part number selection table

Example Part No:-						K - M3 - 12												
Basic Part No	Thread Size	ØD max	H max	J nom	Standard Length													
					L													
K	M2	4.4	1.20	0.63	3	4	5	6	8	10	12	16	20					
	M2.5	5.5	1.50	0.73			5	6	8	10	12	16	20	25				
	M3	6.3	1.65	0.93			5	6	8	10	12	16	20	25	30	35		
	M4	8.4	2.20	1.13					6	8	10	12	16	20	25	30	35	
	M5	10.0	2.50	1.38					8	10	12	16	20	25	30	35		
	M6	12.0	3.00	1.78							10	12	16	20	25	30	35	

i Features and options

- Imperial sizes available
- Alternative materials available

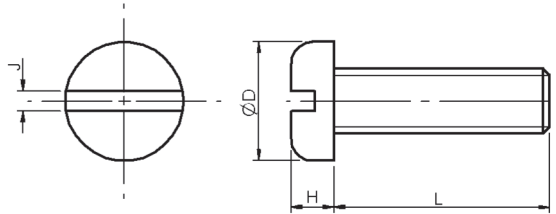
? Technical support

- ISO metric screw threads, limits and tolerances - see [page T13-1](#)
- Torque and tension guidelines - see [page T13-1](#)



Associated Products
 Disc springs: page 13-15
 Nuts: page 13-16
 Washers: page 13-17

All dimensions in mm
 Thread specification: BS3643 Pt2
 Head specification: BS4183
 Tolerance class: 6g
 Material: Stainless steel 300 series



Part number selection table

Example Part No:-						P - M3 - 12														
Basic Part No	Thread Size	ØD max	H max	J nom	Standard Length															
					L															
P	M2	4.0	1.2	0.63	3	4	5	6	8	10	12	16	20							
	M2.5	5.0	1.5	0.73			5	6	8	10	12	16	20	25						
	M3	6.0	1.8	0.93				5	6	8	10	12	16	20	25	30				
	M4	8.0	2.4	1.13					6	8	10	12	16	20	25	30	35			
	M5	10.0	3.0	1.38						8	10	12	16	20	25	30	35			
	M6	12.0	3.6	1.78							10	12	16	20	25	30	35			

i Features and options

- Imperial sizes available
- Alternative materials available

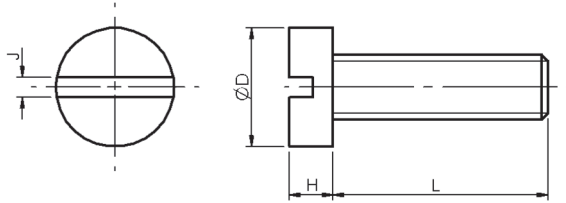
? Technical support

- ISO metric screw threads, limits and tolerances - see [page T13-1](#)
- Torque and tension guidelines - see [page T13-1](#)



All dimensions in mm
 Thread specification: BS3643 Pt2
 Head specification: BS4183
 Tolerance class: 6g
 Material: Stainless steel 300 series

Associated Products
 Disc springs: page 13-15
 Nuts: page 13-16
 Washers: page 13-17



Part number selection table

Example Part No:-						C - M3 - 12																	
Basic Part No	Thread Size	ØD max	H max	J nom	Standard Length																		
					L																		
C	M2	3.8	1.3	0.63	3	4	5	6	8	10	12	16	20										
	M2.5	4.5	1.6	0.73			5	6	8	10	12	16	20	25									
	M3	5.5	2.0	0.93			5	6	8	10	12	16	20	25	30								
	M4	7.0	2.6	1.13				6	8	10	12	16	20	25	30	35							
	M5	8.5	3.3	1.38					8	10	12	16	20	25	30	35							
	M6	10.0	3.9	1.78						10	12	16	20	25	30	35							

i Features and options

- Imperial sizes available
- Alternative materials available

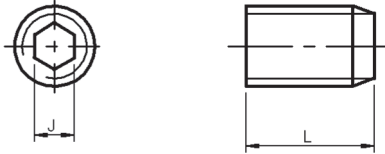
? Technical support

- ISO metric screw threads, limits and tolerances - see [page T13-1](#)
- Torque and tension guidelines - see [page T13-1](#)



Associated Products
 Gears: page 4-1
 Reli-a-Flex® couplings: page 8-6

All dimensions in mm
 Thread specification: BS3643 Pt2
 Tolerance class: 9g
 Material: Stainless steel
 Manufactured to: BS EN ISO 4029



Part number selection table

Example Part No:-		SS - M4 - 12															
Basic Part Number	Thread Size	J nom	Standard Lengths L														
			SS	M2	0.9	2	3	4	5	6	8	10					
M2.5	1.3			3	4	5	6	8	10								
M3	1.5			3	4	5	6	8	10	12							
M4	2				4	5	6	8	10	12	16						
M5	2.5					5	6	8	10	12	16	20					
M6	3						6	8	10	12	16	20	25				

i Features and options

- Used for quick, permanent location of gears, collars and pulleys on shafts
- Suitable for high torque transmission
- Imperial sizes available
- Alternative materials available

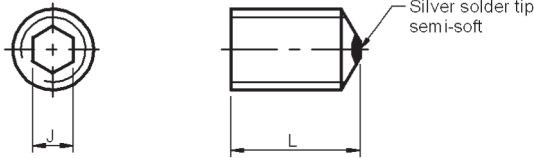
? Technical support

- ISO metric screw threads, limits and tolerances - see [page T13-1](#)
- Torque and tension guidelines - see [page T13-1](#)



All dimensions in mm
 Thread specification: BS3643 Pt2
 Tolerance class: 6g
 Material: Stainless steel 300 series with silver solder tip

Associated Products
 Gears: [page 4-1](#)
 Couplings: [page 8-1](#)



Part number selection table

Example Part No:-		SGSS - M6 - 17		
Basic Part Number	Thread Size	J nom	Standard Lengths L	Length Code
SGSS	M2	0.9	3	1
			4	2
			5	3
			6	4
	M3	1.5	3	5
			4	6
			5	7
			6	8
	M4	2	4	9
			6	10
			10	11
			14	12
	M5	2.5	6	13
			10	14
			14	15
			20	16
	M6	3	6	17
			10	18
			16	19
			25	20

i Features and options

- Stainless steel set screw with semi-soft silver solder tip
- Prevents shaft marking
- Imperial sizes available

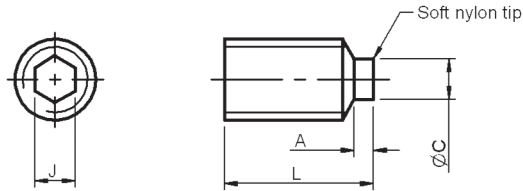
? Technical support

- ISO metric screw threads, limits and tolerances - see [page T13-1](#)
- Torque and tension guidelines - see [page T13-1](#)



Associated Products
 Gears: page 4-1
 Couplings: page 8-1

All dimensions in mm
 Thread specification: BS3643 Pt2
 Tolerance class: 6g
 Material: Stainless steel screw
 Nylon insert



Part number selection table

Example Part No:- NMSS - M5 - 16						
Basic Part Number	Thread Size	ØC	A	J nom	Standard Lengths L	Length Code
NMSS	M2	0.8	0.8	0.9	3.8	1
					4.8	2
					5.8	3
					6.8	4
	M3	1.6	0.8	1.5	3.8	5
					4.8	6
					5.8	7
					6.8	8
	M4	2.4	1.2	2	5.2	9
					7.2	10
					11.2	11
					15.2	12
	M5	2.4	1.2	2.5	7.2	13
					11.2	14
					15.2	15
					21.2	16
	M6	3.2	1.6	3	7.6	17
					11.6	18
					17.6	19
					26.6	20

i Features and options

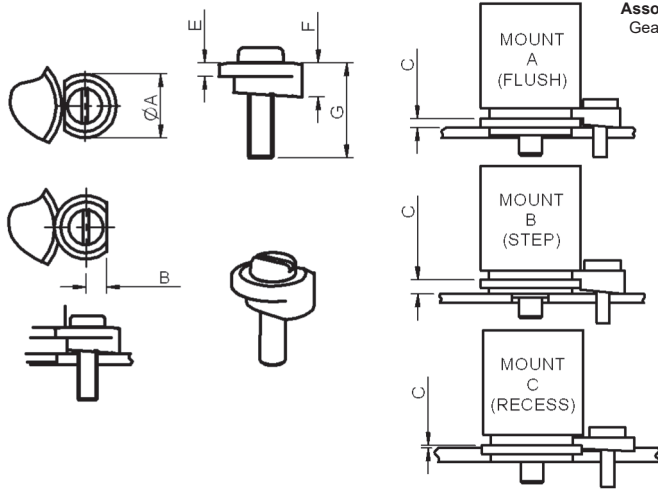
- Stainless steel set screw with nylon tip insert
- Used to prevent shaft marking
- Self locking
- Full face contact
- Imperial sizes available

? Technical support

- ISO metric screw threads, limits and tolerances - see [page T13-1](#)
- Torque and tension guidelines - see [page T13-1](#)



All dimensions in mm
 General tolerances ± 0.13 mm
 Material: Stainless steel clamp
 Nylon locking insert



Associated Products
 Gearboxes: [page 3-1](#)

Part number selection table

Part Number	Mount Type	Height C ± 0.08	Flat B	Lip E ± 0.08	Height F	Length G $+0.0/-0.8$	Thread Size	O/D $\varnothing A$ $+0.00/-0.13$			
SQM-6	A & C	0.79	3.18	1.02	1.80	8.0	M3 x 0.5	9.90			
SQM-7	A	1.57		1.02	2.59						
SQM-8		1.57		1.27	2.84						
SQM-9		1.57		1.60	3.18						
SQM-10		1.98		1.60	3.58						
SQM-11		2.36		1.02	3.38						
SQM-12		2.36		1.27	3.63						
SQM-13		2.36		1.60	3.96						
SQM-14		3.18		1.27	4.45						
SQM-15		B		3.96	1.02	4.98					
SQM-16				5.72	1.60	7.32					
SQM-17	A	6.35		1.60	7.92	12.0					
						16.0					

i Features and options

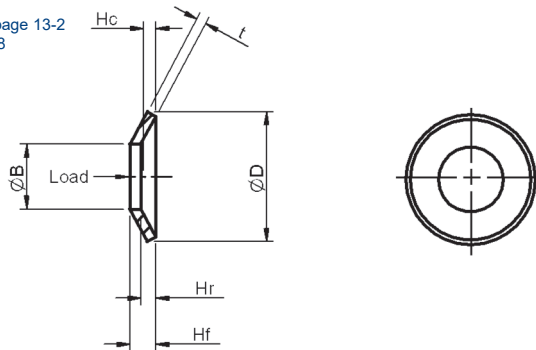
- Ideal for use with resolvers, encoders and potentiometers
- Imperial sizes available
- Self locking
- Quick releasing



Associated Products

Shafts: page 11-2
Bearings: page 12-2
Socket head cap screws: page 13-2
Machine screws: page 13-8
Nuts: page 13-16

All dimensions in mm
General tolerances ± 0.13 mm
Material: Stainless steel X12CrNi 17 7
Manufactured to: DIN2093



Part number selection table

Basic Part Number		Screw Size	ØD	ØB	t	Free Height Hf	Ref. Height Hr	Compressed Height Hc (75% Defl.)	Force to Compress to Hc (N)
Example Part No:-									
									BW - M6
BW	M4	8.0	4.2	0.40	0.60	0.20	0.45	193	
	M5	10.0	5.2	0.50	0.75	0.25	0.56	300	
	M6	12.5	6.2	0.70	0.95	0.25	0.76	503	
	M7	14.0	7.2	0.80	1.10	0.30	0.87	735	
	M8	16.0	8.2	0.90	1.25	0.35	0.99	934	
	M10	20.0	10.2	1.10	1.55	0.45	1.21	1403	
	M11	22.5	11.2	1.25 ¹	1.65	0.40	1.35	1411	
	M12	25.0	12.2	1.50 ¹	1.90	0.40	1.60	1944	

¹ Material: stainless steel X7CrNiAl 17 7

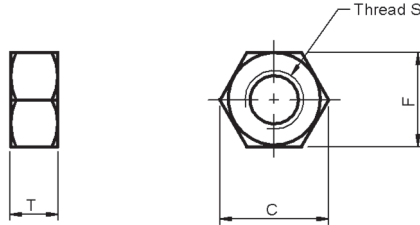
i Features and options

- For use where controlled axial force is required
- Good for bearing pre-load configurations
- Imperial sizes available



All dimensions in mm
 General tolerances ± 0.13 mm
 Material: Stainless steel
 Thread: BS3692, DIN 934

Associated Products
 Disc springs: page 13-15
 Plain socket head cap screws: page 13-2
 Pan head machine screws: page 13-9
 Cheese head machine screws: page 13-10
 Washers: page 13-17



Part number selection table

Example Part No:- HN - M3				
Basic Part Number	Thread Size S	T max	F max	C nom
HN	M1.6	1.3	3.2	3.4
	M2	1.6	4.0	4.6
	M2.5	2.0	5.0	5.8
	M3	2.4	5.5	6.4
	M4	3.2	7.0	8.1
	M5	4.0	8.0	9.2
	M6	5.0	10.0	11.5

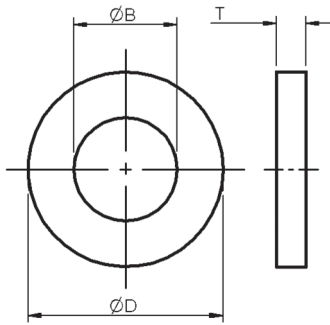
i Product options

- Imperial sizes available

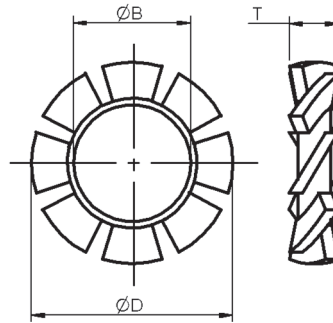


Associated Products
Screws from: page 13-2
Nuts: page 13-16
Disc springs: page 13-15

All dimensions in mm
General tolerances ± 0.13 mm
Material: Stainless steel



Plain Washers



Tooth Lock Washers

Part number selection tables

Example Part No:- PW - M3				
Basic Part Number	Thread Size	ØD max	ØB min	T nom
PW	M1.6	4.0	1.7	0.3
	M2	5.0	2.2	0.4
	M2.5	6.5	2.7	0.6
	M3	7.0	3.2	0.6
	M4	9.0	4.3	0.9
	M5	10.0	5.3	1.1
	M6	12.5	6.4	1.8

Example Part No:- ETW - M3				
Basic Part Number	Thread Size	ØD max	ØB max	T nom
ETW	M2	4.5	2.2	0.9
	M3	6.0	3.2	1.2
	M4	8.0	4.3	1.5
	M5	10.0	5.3	1.8
	M6	11.0	6.4	2.1

i Product options

- Imperial sizes available

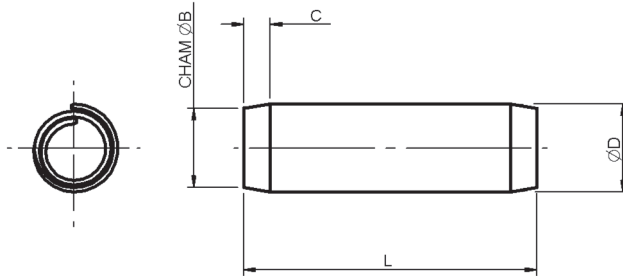


Ø0.8 - Ø3.0mm

Coiled Pins

All dimensions in mm
General tolerances ±0.13 mm
Material: Chrome stainless steel AISI 420
Finish: Pickled and oiled

Associated Products
Pin hub gears: page 4-13
Shaft collars: page 11-3



Part number selection table

Example Part No:- MSP - 1.5 - 6 - MCP						
Basic Part Number	Actual Dia ØD	Nom Dia	Cham Dia ØB	Cham Length C	Ideal Hole Dia	Standard Lengths
						L
MSP	0.85/0.91	0.8	0.75	0.30	0.80/0.84	4 5 6 8
	1.05/1.15	1.0	0.95	0.30	1.00/1.04	4 5 6 8 10 12
	1.62/1.73	1.5	1.40	0.50	1.50/1.60	5 6 8 10 12 14 16
	2.13/2.25	2.0	1.90	0.70	1.99/2.10	6 8 10 12 14 16 18
	2.65/2.78	2.5	2.40	0.70	2.49/2.60	10 12 14 16 18
	3.15/3.30	3.0	2.90	0.90	2.99/3.10	14 16 18 20

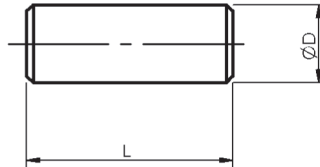
i Features and options

- Coiled steel pin for location and alignment
- Suitable for locating Reliance's gears on ground shaft
- Imperial sizes available
- Alternative materials available



Associated Products
 Pin hub gears: [page 4-13](#)
 Shaft collars: [page 11-3](#)

All dimensions in mm
 General tolerances ±0.13 mm
 Material: Stainless steel 300 series



Part number selection table

Example Part No:-		D 020 - 10														
Basic Part Number	ØD ±0.0025	Diameter Code	Standard Lengths L ±0.25													
			D	1.00	010	3	4	5	6	8	10	12	14			
	1.50	015	3	4	5	6	8	10	12	14	16	18				
	2.00	020	3	4	5	6	8	10	12	14	16	18	20	22		
	2.50	025	3	4	5	6	8	10	12	14	16	18	20	22		
	3.00	030			5	6	8	10	12	14	16	18	20	22	25	
	4.00	040						10	12	14	16	18	20	22	25	
	5.00	050							12	14	16	18	20	22	25	
	6.00	060								14	16	18	20	22	25	

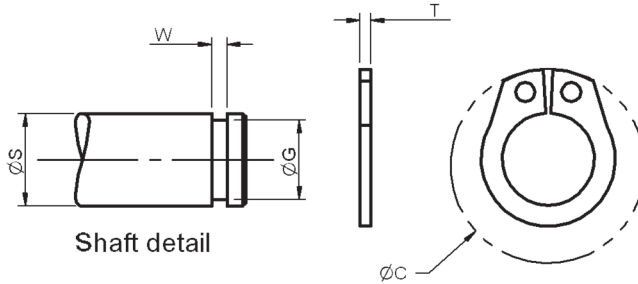
i Features and options

- Precision stainless steel dowel pin, suitable for accurate location and alignment
- Imperial sizes available
- Alternative materials available



All dimensions in mm
General tolerances ± 0.13 mm
Material: Stainless steel

Associated Products
Shafts: page 11-2
Bearings: page 12-2



Part number selection table

Example Part No:- D1400 - 0060 - SS							
Basic Part Number	Nominal Shaft Dia (ØS)	Dia Code	Circlip		Groove		Mati
			Thickness T	Clearance Dia (ØC)	Width W	Dia ØG	
D1400	3	0030	0.40	7.00	0.64	2.80	SS
			0.35		0.50	2.76	
	4	0040	0.40	8.60	0.64	3.80	
			0.35		0.50	3.75	
	5	0050	0.60	10.30	0.84	4.80	
			0.55		0.70	4.75	
	6	0060	0.70	11.70	0.94	5.70	
0.65			0.80		5.65		
8	0080	0.80	14.70	1.04	7.60		
		0.75		0.90	7.54		
10	0100	1.00	17.00	1.24	9.60		
		0.94		1.10	9.54		
12	0120	1.00	19.00	1.24	11.50		
		0.94		1.10	11.39		

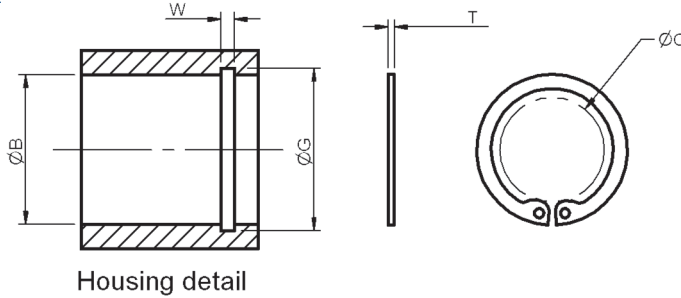
i Features and options

- Used to axially secure components, such as bearings on shafts
- Imperial sizes available
- Alternative materials available



Associated Products
Shafts: page 11-2
Bearings: page 12-2

All dimensions in mm
General tolerances ± 0.13 mm
Material: Stainless steel















Part number selection table

Example Part No:- D1300 - 0200 - SS							
Basic Part Number	Nominal Bore Dia ($\varnothing B$)	Dia Code	Circlip		Groove		Matl
			Thickness T	Clearance Dia ($\varnothing C$)	Width W	Dia $\varnothing G$	
D1300	12	0120	1.00	5.70	1.24	12.61	SS
			0.94		1.10	12.50	
	15	0150	1.00	8.30	1.24	15.81	
			0.94		1.10	15.70	
	16	0160	1.00	9.20	1.24	16.91	
			0.94		1.10	16.80	
	19	0190	1.00	11.80	1.24	20.13	
			0.94		1.10	20.00	
	20	0200	1.00	12.60	1.24	21.13	
			0.94		1.10	21.00	
	22	0220	1.00	14.60	1.24	23.13	
			0.94		1.10	23.00	
	24	0240	1.20	16.40	1.44	25.41	
			1.14		1.30	25.20	
	28	0280	1.20	19.80	1.44	29.61	
			1.14		1.30	29.40	
30	0300	1.20	21.80	1.44	31.65		
		1.14		1.30	31.40		

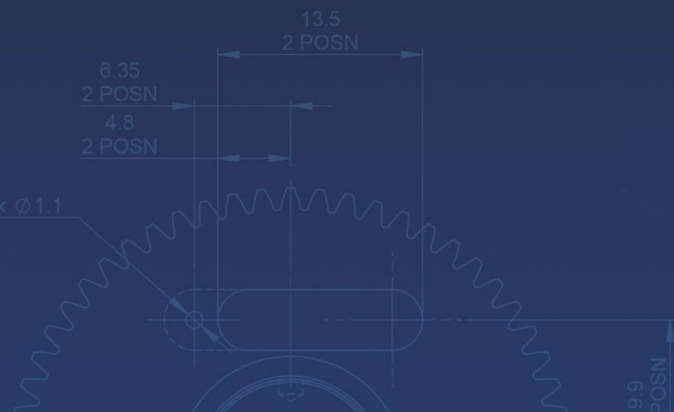
i Features and options

- Used to axially secure components, such as bearings in housings
- Imperial sizes available
- Alternative materials available



	<i>Introduction to Reliance</i>	<i>i</i>
	<i>Systems Overview</i>	<i>1</i>
	Intelligent Motors and Motorised Actuators	2
	Planetary and Right Angle Gearboxes	3
	Brass, Ground and Precision Spur Gears	4
	Worms and Wheels, Bevels and Internal Gears	5
	Round and Rectangular Racks and Pinions	6
	Leadscrews and Leadscrew Assemblies	7
	Flexible Shaft Couplings, Clutches and Collars	8
	Linear Guides and Slides	9
	Belts and Pulleys	10
	Gear Clamps and Accessories	11
	Bearings and Spacers	12
	Machine Screws, Dowel Pins and Hardware	13
	<i>Technical Information</i>	<i>14</i>
	<i>Appendices and Index</i>	<i>15</i>

Systems Overview	1
Intelligent Motors and Motorised Actuators	2
Planetary and Right Angle Gearboxes	3
Brass, Ground and Precision Spur Gears	4
Worms and Wheels, Bevels and Internal Gears	5
Round and Rectangular Racks and Pinions	6
Leadscrews and Leadscrew Assemblies	7
Flexible Shaft Couplings, Clutches and Collars	8
Linear Guides and Slides	9
Belts and Pulleys	10
Gear Clamps and Accessories	11
Bearings and Spacers	12
Machine Screws, Dowel Pins and Hardware	13
Technical Information	14



RELIANCE™
PRECISION

Rowley Mills, Penistone Road, Lepton
Huddersfield, HD8 0LE, England

+44 (0) 1484 601002
www.reliance.co.uk
sales@reliance.co.uk

RG36 Issue B3 - Nov 22